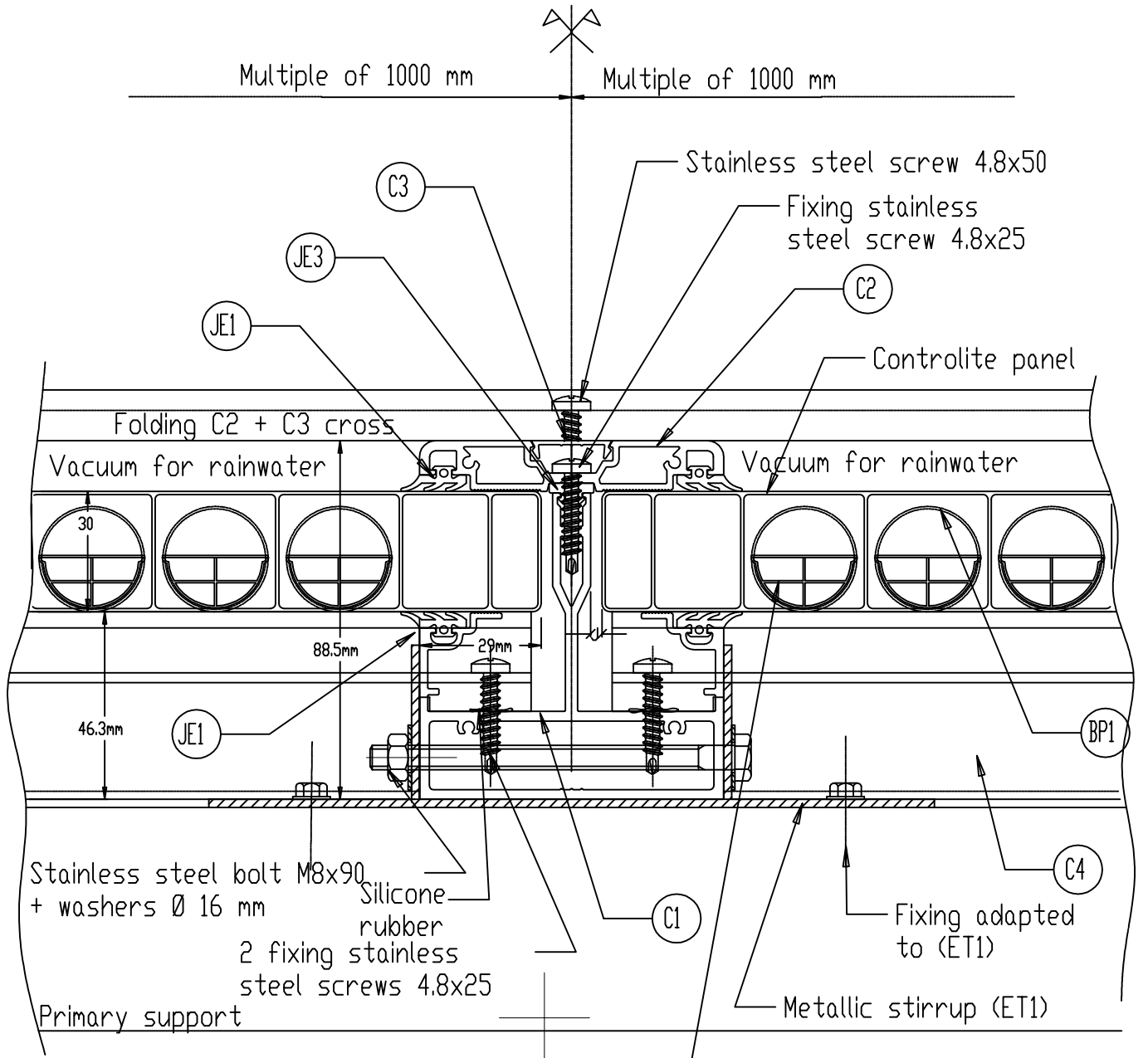
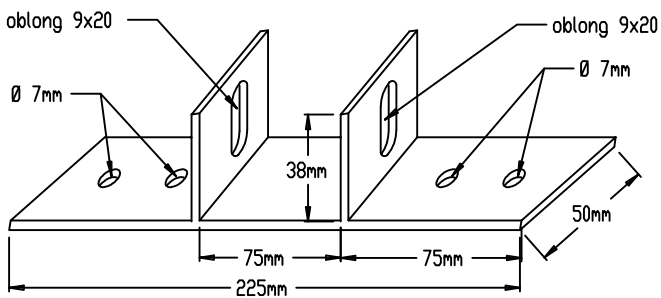


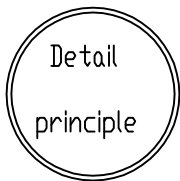
Cross view



Metallic stirrup (ET1)



J = assembly system (2 mm)



DATE : 27/05/02

CONTROLITE

Drawing n° 07

STANDARD SECTION
PERPENDICULAR TO THE PRINCIPAL SUPPORT



EVERLITE CONCEPT
Tél. 00 33 (0)1 64 97 08 07
Fax 00 33 (0)1 64 97 07 03
E Mail : Everlite.Concept@wanadoo.fr